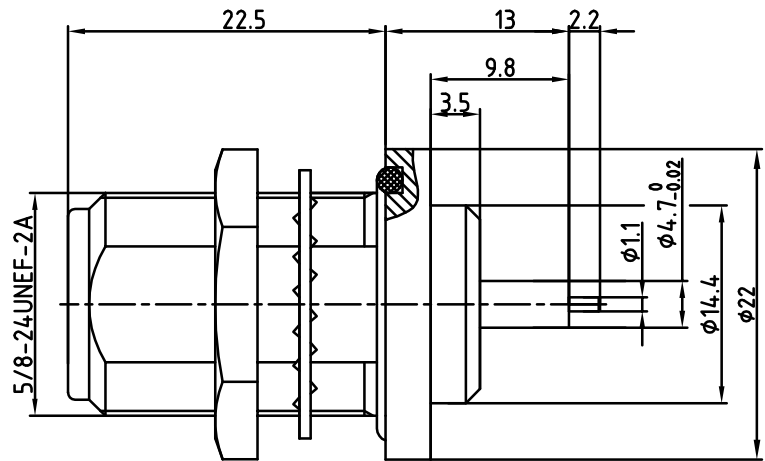
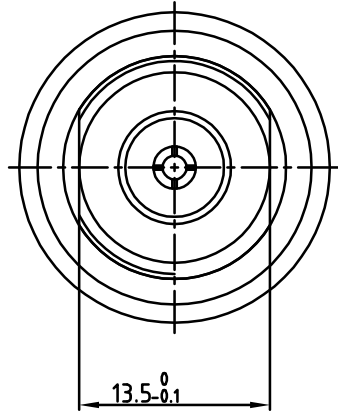


This document contains proprietary information and such information may not be disclosed to others for any purposes, not used for sales/marketing/procurement purposes without written permission

REV	DESCRIPTION OF REVISION	ECN NO.	BY	DATE	APPROVED
A	Initial Release	—	T.Shihua	30/9/16	30/9/16





1 Materials&Finish

- 1.1 Body: Brass, nickel plated
- 1.2 Insulator: Teflon
- 1.3 Contact Pin: Bronze, Gold plated
- 1.4 O-Ring: Silicon Rubber(red color)

Notes:

- 1.ALL SPECIFICATIONS ARE SUBJECT TO CHANGE NOTICE AT ANY TIME
- 2.CUSTOMER OUTLINE DRAWING FOR REFERENCE ONLY

DRAWN: T.Shihua 30/9/16 ENGINEER: C.Tao 30/9/16 APPROVED: W.Qiang 30/9/16 TOLERANCES UNLESS OTHERWISE SPECIFIED .X ±0.50 .X ±0.20 .XX ±0.10 ANGLES ±1°	TITLE: N-KYD1 N female B/H Conn. Terminal PART NO: PO42998400C	 www.terullal.com  DIMENSION IN MILLIMETERS (mm)	
SIZE: A4	SCALE: N/A	SHEET: 1/1	REV: A